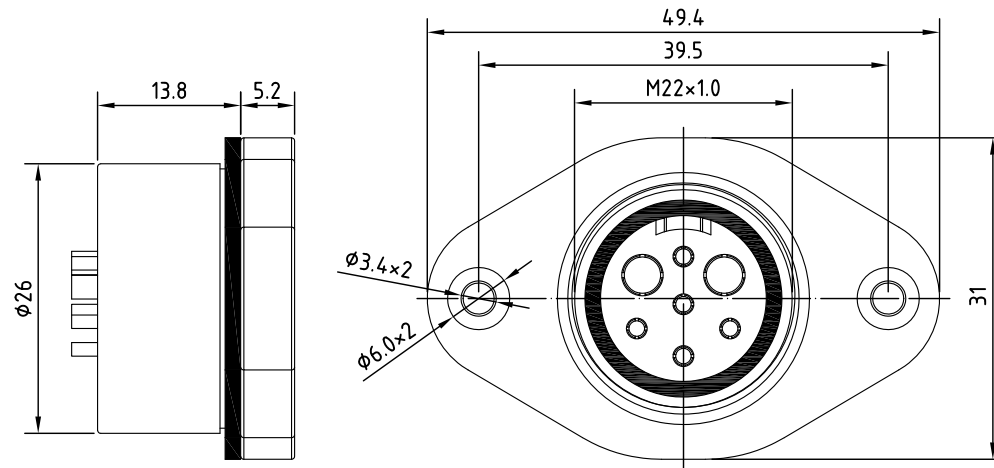


REV.	Description	Date
1	spec. revise	2012/10/31
2	rate voltage revise	2014/6/13
3	contact resistance, insertion/withdrawal force revise	2016/4/19
4	rated current revise	2018/10/5



Specification of connector

Locking system	: screw M22
Shell protection	: IP67
Rated voltage	: 360V
Rated current	: Large pin 35A Small pin 10A
Contact resistance	: Large pin <5mΩ Small pin <30mΩ
Insertion force	: <80N
Withdrawal force	: <80N

RoHS

TOLERANCE X±0.5 .X±0.3

CONTACT ARRANGEMENT FRONT VIEW (FEMALE)	2P	3P	4P	5AP	5BP	6AP	6BP	7P

4	Pad	Rubber	
3	O ring	Rubber	
2	Pin	Brass	Gold plated
1	Body	PA	
Item	Description	Material	Treat



Unicable Co., Ltd. 國陽電業有限公司

5F., No. 111-33, Sec. 4, San Ho Road., San Chung Dist., New Taipei City, Taiwan, R.O.C.
<http://www.unicable.com.tw> TEL:+886-2-2286-2122 FAX:+886-2-2286-1010

DATE	2018/10/5	PART NO.	UT-SD259F4-XP
DWN	GINA	REV.	4
CHK			
ITEM	High Power M22	UNIT	MM